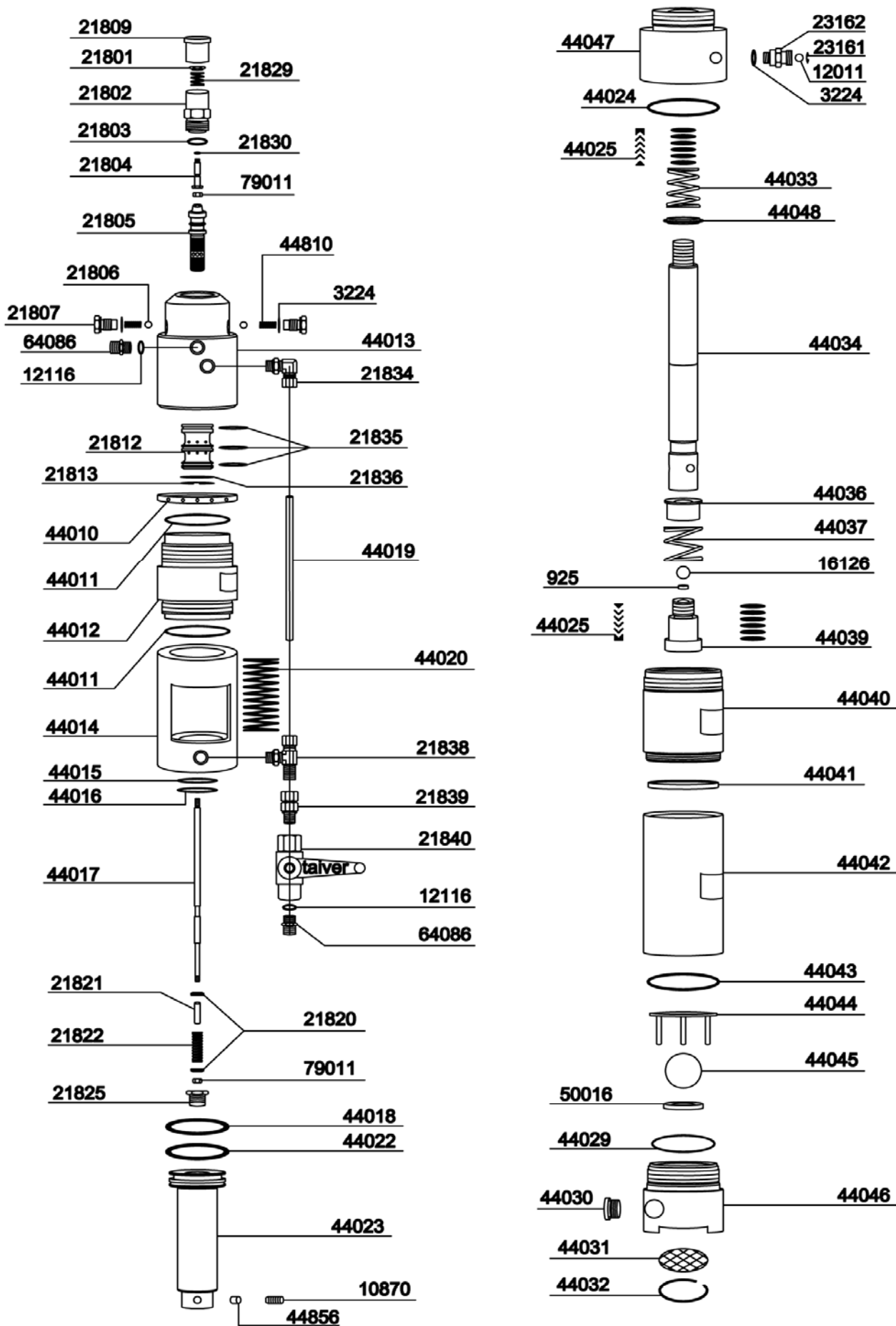
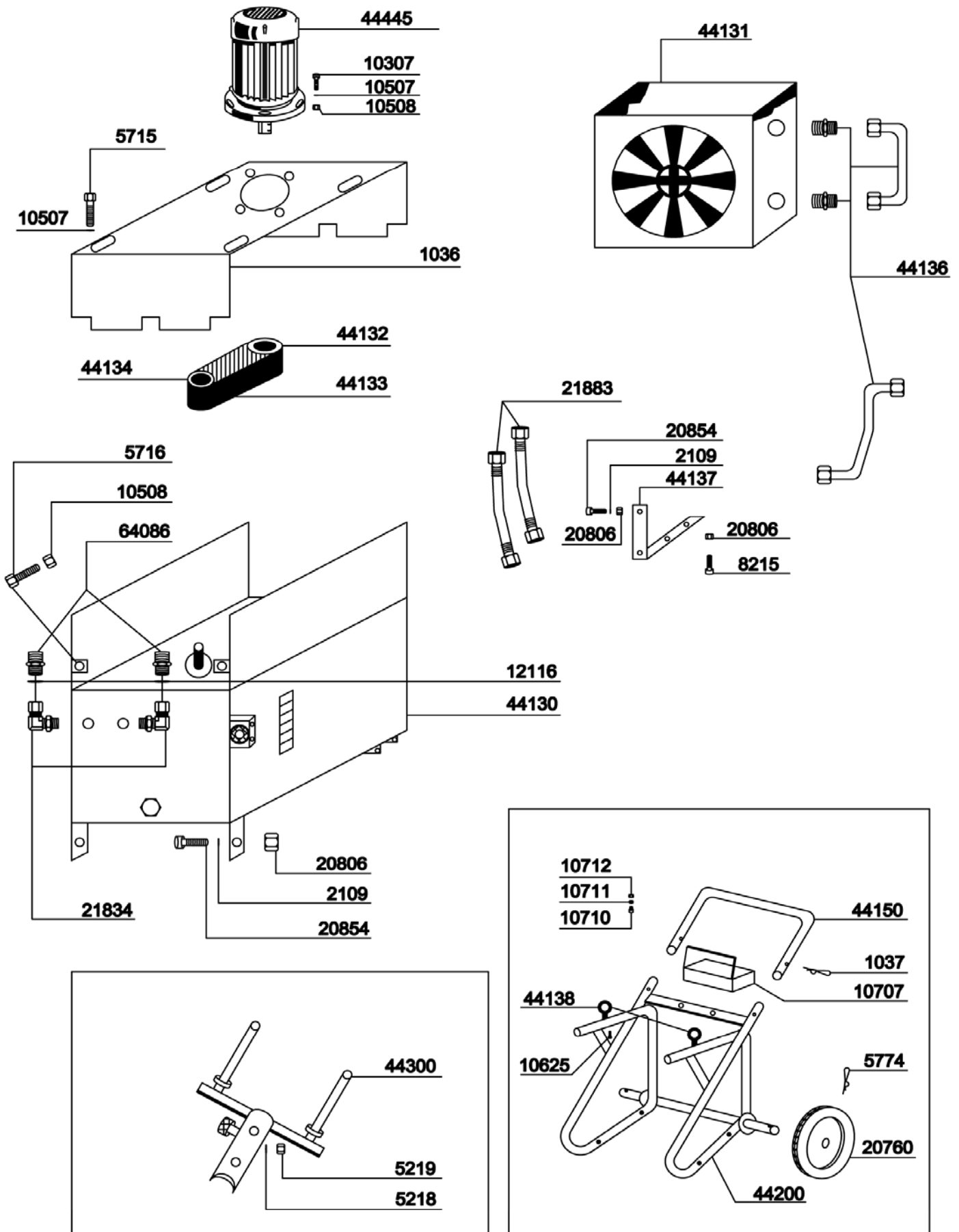


PART LIST AND DIAGRAM
Pumping housing HTP 44000



PART LIST AND DIAGRAM
Hydraulic part & Trolley - HTP 44000



PART LIST AND DIAGRAM

HTP 44000

Ref.	Description	Q.ty	Ref.	Description	Q.ty
44450	Pumping part HTP 44000				
000925**	SEAT	1	044042	WASHER, NYLON	1
003224	COPPER GASKET	3	044043	PAINT CYLINDER	1
010870	FIXING SCREW	1	044044	O-RING	1
012011	BALL dia.11, S.S.	1	044045***	BALL STOP COMPLETE	1
012116	COPPER GASKET	2	044046***	INLET VALVE BALL	1
016126**	BALL dia.25 IN S.S.	1	044047	INLET VALVE BODY	1
021801	RESET NUT	1	044048	PUMPING HOUSING CENTRAL	1
021802	RELEASE BODY	1	044810	PRESSURE WASHER	1
021803	O-RING	1	044856	SPRING, TRACER POINT	2
021804	RESET PIN	1	050016***	STOP SCREW	1
021805	MOBILE FUSE	1	064086	INLET VALVE BALL SEAT	1
021806	BALL, TRACER POINT	2	079011	NIPPLE M3/8" - M16x1,5 - S.S.	2
021807	TRACER POINT	2			
021809	PLUG	1			
021812	PISTON SLEEVE, FUSE	1		Hydraulic part & trolley	
021813	SEGER S.S.	1	001036	PLATE, GAS ENGINE	1
021820	WASHER	2	001037	SPLIT PIN, UNIVERSAL TROLLEY	2
021821	SPRING GUIDE	1	002109	SCHNOOR WASHER	8
021822	SPRING	1	005218	FIXING NUT	2
021825	NUT	1	005219	FIXING WASHER	2
021829	SPRING	1	005715	FIXING BOLT, TROLLEY	4
021830	O-RING	1	005716	BOLT	2
021834	NIPPLE	1	005774	COTTER PIN	2
021835	OR SEAL	3	008215	BOLT	4
021836	WASHER	1	010307	FIXING BOLT	4
021838	"T" FITTING 3/8"	1	010507	WASHER	8
021839	NIPPLE 3/8 FF	1	010508	NUT	6
021840	VALVE 3/8 FF	1	010625	FIXING BOLT	2
023161	BALL STOP RING	1	010707	TOOL BOX "TAIVER"	1
023162	NON-BACKFLOW VALVE NIPPLE	1	010710	FIXING BOLT	2
044010	FIXING RING NUT	1	010711	WASHER	2
044011	O-RING	2	010712	FIXING NUT	2
044012	OLEODYNAMIC CYLINDER	1	012116	COPPER GASKET	2
044013	REVERSAL BODY	1	020760	WHEEL, BIG	2
044014	PUMPING HOUSING DOUBLE	1	020806	BOLT	10
044015	GASKET	1	020854	BOLT	8
044016	SCRAPER	1	021834	NIPPLE	2
044017	ROD	1	021883	CONNECTING HOSE cm. 60	2
044018	DYNAMIC SCRAPER	1	044130	HYDRAULIC BOX, HTP 44000	1
044019	OIL HOSE	1	044131	RADIATOR 380V, HTP 44000	1
044020	SAFETY SPRING	1	044132	MOTOR PULLEY	1
044022	GUIDE RING	1	044133	BELT	1
044023	OLEODYNAMIC SHAFT	1	044134	HYDRAULIC BOX PULLEY, HTP 44000	1
044024	O-RING, TEFLON	1	044136	KIT HYDRAULIC CONNECTION, HTP 44000	1
044025*	UPPER AND LOWER PACKING	2	044137	SUPPORT, RADIATOR HTP 44000	2
044029***	WASHER, TEFLON	1	044138	EYEBOLT M12	2
044030	PLUG, S.S.	1	044150	HANDLE, TROLLEY	1
044031	NET	1	044200	BODY, TROLLEY HTP 44000	1
044032	STOP SEGER	1	044300	SUPPORT, PUMP HTP 44000	1
044033	SPRING	1	044445	ELECTRIC MOTOR 380V - HTP 44000	1
044034	PISTON HTP 44000	1	064086	NIPPLE M3/8" - M16x1,5 - S.S.	2
044036	WASHER, LOWER PACKING	1			
044037	SPRING, LOWER PACKING	1		Spare parts suggested:	
044039**	COMPRESSION VALVE BODY	1	044803	UPPER AND LOWER PACKINGS SET (* x2)	
044040	SPACER	1	044318	COMPRESSION VALVE KIT (**)	
044041	NYLON WASHER	1	044348	SUCTION VALVE KIT (***)	