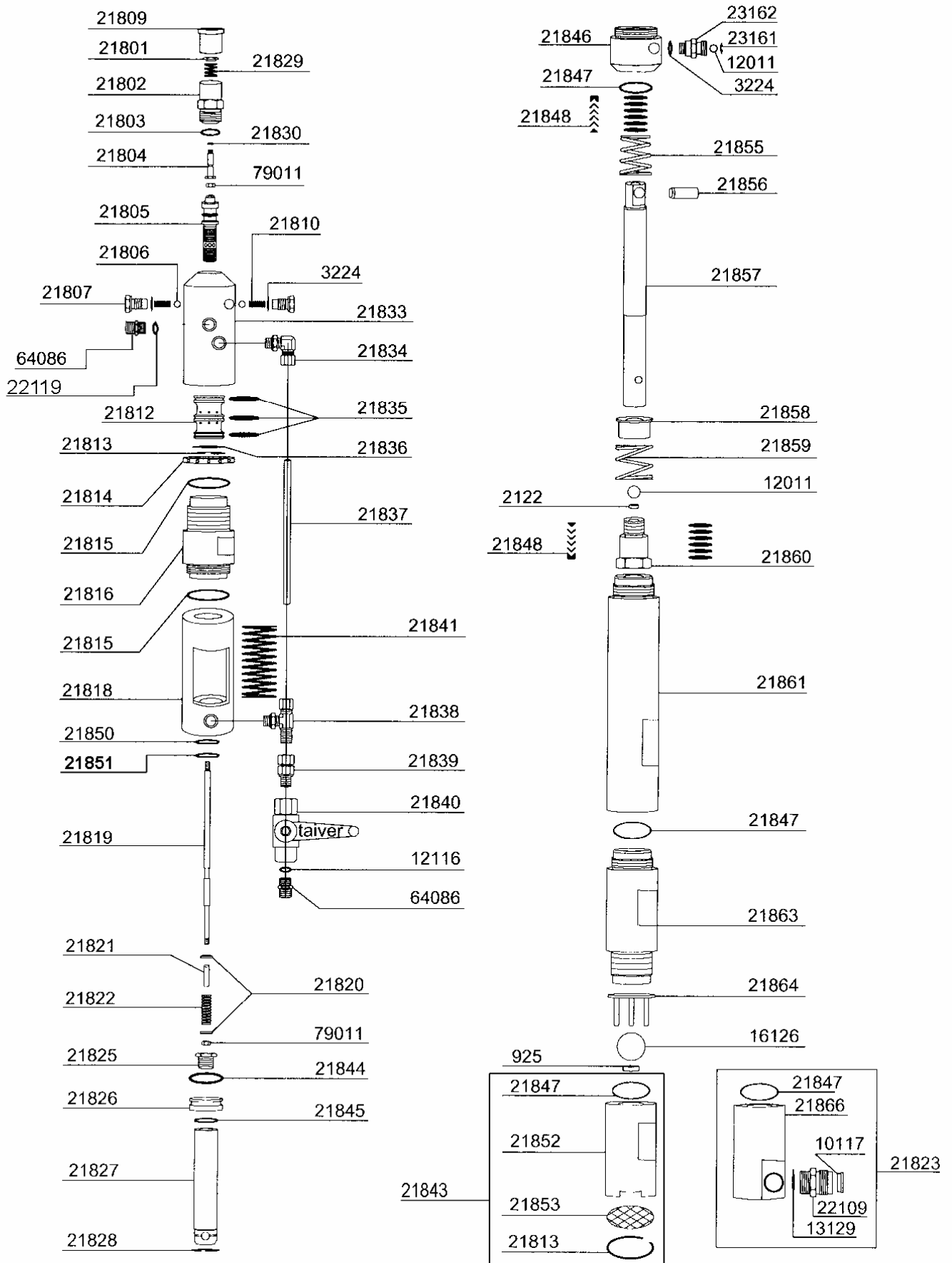


**PART LIST and DIAGRAM**  
**Pumping part HTP 21000**

Ver. 01-06





**PART LIST and DIAGRAM**  
**Pumping part HTP 21000**

Ref.	Description	Q.ty
<b>21800</b>	<b>Pumping part HTP 21000</b>	
000925	SEAT	1
002122	SEAT	1
003224	COPPER GASKET	3
012011	BOXER 5 PUMP, BARE	2
012116	COPPER GASKET	1
016126	BALL dia.25 IN S.S.	1
021801	RESET NUT	1
021802	RELEASE BODY	1
021803	O-RING	1
021804	RESET PIN	1
021805	MOBILE FUSE	1
021806	BALL, TRACER POINT	2
021807	TRACER POINT	2
021808	ELBOW	1
021809	PLUG	1
021810	SPRING, TRACER POINT	2
021812	PISTON SLEEVE, FUSE	1
021813	SEEGER S.S.	1
021814	FIXING RING NUT	1
021815	O-RING	2
021816	OLEODYNAMIC CYLINDER	1
021818	PUMPING HOUSING DOUBLE	1
021819	VALVE ROD	1
021820	WASHER	2
021821	SPRING GUIDE	1
021822	SPRING	1
021825	NUT	1
021826	SCRAPER PISTON	1
021827	OLEODYNAMIC SHAFT	1
021828	STOP RING	1
021829	SPRING	1
021830	O-RING	1
021833	REVERSAL BODY	1
021834	NIPPLE	1
021835	OR SEAL	3
021836	WASHER	1
021837	OIL HOSE	1
021838	"T" FITTING 3/8"	1
021839	NIPPLE 3/8 FF	1
021840	VALVE 3/8 FF	1
021841	SAFETY SPRING	1
021844	PLUNGER SCRAPER	1
021845	O-RING	1
021846	PUMPING HOUSING CENTRAL	1
021847	O-RING	1
021848	UPPER & LOWER PACKING	2
021850	STATIC SCRAPER	1

Ref.	Description	Q.ty
021855	SPRING, UPPER PACKING	1
021856	PIN	1
021857	MATERIAL PISTON	1
021858	CUP SPRING	1
021859	SPRING	1
021860	COMPRESSION VALVE BODY	1
021861	SPACER, PAINT PART	1
021863	PRODUCT CYLINDER	1
021864	BALL STOP COMPLETE	1
022119	COPPER GASKET	1
023161	BALL STOP RING	1
023162	NON-BACKFLOW VALVE NIPPLE	1
064086	NIPPLE M3/8" - M16x1,5 - S.S.	2
079011	SELF-LOCKING NUT	2

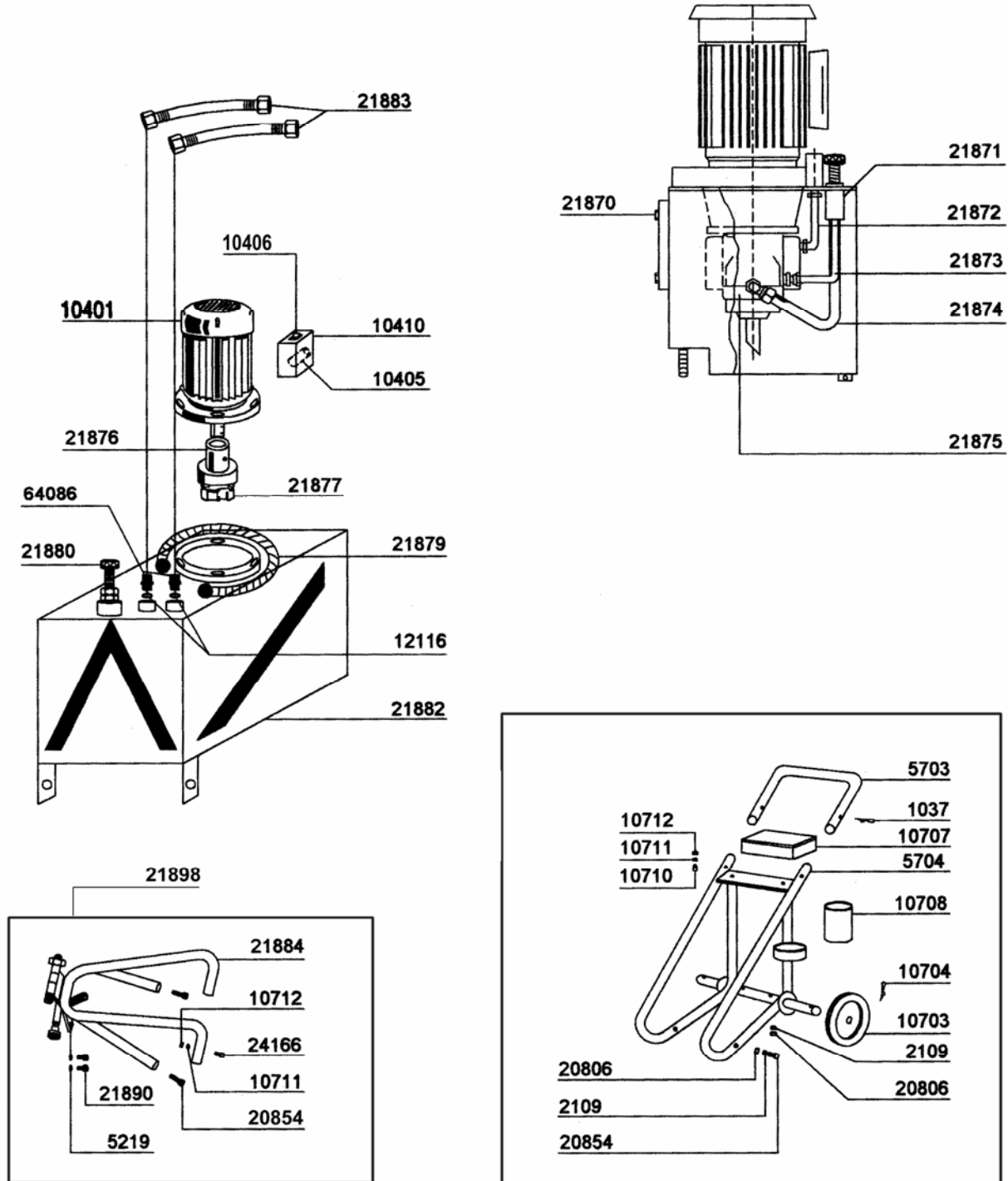
**021823 KIT SUCTION BODY, LATERAL 1**

010117	JOINT	1
013129	COPPER GASKET 1/2"	1
021847	O-RING	1
021866	SUCTION BODY, LATERAL	1
022109	NIPPLE M 36x2 M1/2" - S.S.	1

**021843 KIT SUCTION BODY, DIRECT 1**

021813	SEEGER S.S.	1
021847	O-RING	1
021852	SUCTION BODY	1
021853	FILTERING DISC	1

**PART LIST and DIAGRAM**  
**Hydraulic part & Trolley**





TAIVER S.r.l.

Via F.lli Cervi, 2 - 20040 Burago di Molgora (MI) - ITALY

Tel. +39 039 59.68.280/281 - Fax. +39 039 59.68.283

E-mail: taiver@taiver.com

Web: www.taiver.com

PART LIST and DIAGRAM  
Hydraulic part & Trolley

Ref.	Description	Q.ty
001037	SPLIT PIN, UNIVERSAL TROLLEY	2
002109	SCHNOOR WASHER	4
005703	HANDLE, UNIVERSAL TROLLEY	1
005704	BODY, UNIVERSAL TROLLEY	1
010401	ELECTRIC MOTOR 220 Volt/50 Hz - HP3	1
010405	CONDENSER 50 MF	1
010406	SWITCH COMPLETE 220 Volt	1
010410	CONDENSER BOX	1
010703	WHEEL	2
010704	COTTER PIN	2
010707	TOOL BOX	1
010708	SUCTION SYSTEM HOLDER	1
010710	FIXING BOLT	2
010711	WASHER	2
010712	FIXING NUT	2
012116	COPPER GASKET	2
020806	BOLT	4
020854	BOLT	2
021870	OIL LEVEL AND TEMP. INDICATOR	1
021871	PRESSURE REGULATING VALVE	1
021872	CONNECTING HOSE, HEAT EXCHANGER	1
021873	RETURN HOSE	1
021874	DELIVERY HOSE	1
021875	HYDRAULIC PUMP	1
021876	HALF-JOINT	1
021877	CLUTCH INSERT	1
021879	HEAT EXCHANGER	1
021880	REGULATING KNOB	1
021882	HYDRAULIC BODY	1
021883	CONNECTING HOSE cm. 60	2
024166	BOLT	2
064086	NIPPLE M3/8" - M16x1,5 - S.S.	2

Ref.	Description	Q.ty
<b>021898 KIT SUPPORT HTP 21000</b>		
005219	WASHER	2
010711	WASHER	2
010712	FIXING NUT	2
020854	BOLT	2
021884	SUPPORT	1
021890	SCREW	2
<b>Spare parts suggested:</b>		
21603	UPPER AND LOWER PACKINGS SET	
21618	COMPRESSION VALVE KIT	
21648	SUCTION VALVE KIT	
21823	KIT SUCTION BODY, LATERAL	